

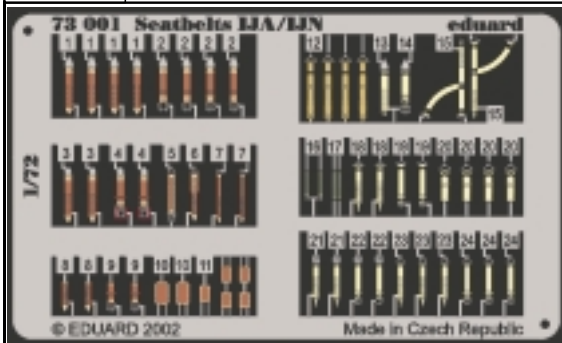


# Seatbelts IJA/IJN

1/72 scale detail set • sada detailů 1/72

eduard

73 001



- SYMETRICAL ASSEMBLY  
SYMETRICKÁ MONTÁŽ
- REMOVE  
ODSTRANIT
- BEND  
OHNOUT
- REPLACE  
NAHRADIT
- GRIND  
OBROUSIT
- OPTION  
VOLBA

ORIGINAL KIT PARTS  
PŮVODNÍ DÍLY STAVEBNICE

PHOTO-ETCHED PARTS  
LEPTANÉ DÍLY

PARTS TO BE REMOVED  
DÍLY K ODSTRANĚNÍ

See your references for exact Airplane .....

**BOMBERS**

Diagram illustrating the assembly of seatbelts for Bombers. Part 23 is a long, thin strap with a buckle, and part 24 is a shorter strap with a buckle. Arrows point to the seat and backrest of the airplane seat, indicating where these parts are attached.

**MITSUBISHI**

Diagram illustrating the assembly of seatbelts for Mitsubishi. Part 7 is a long, thin strap with a buckle. Part 8 is a shorter strap with a buckle. Part 9 is a shorter strap with a buckle. Part 20 is a shorter strap with a buckle. Arrows point to the seat and backrest of the airplane seat, indicating where these parts are attached.

**END OF THE WAR**

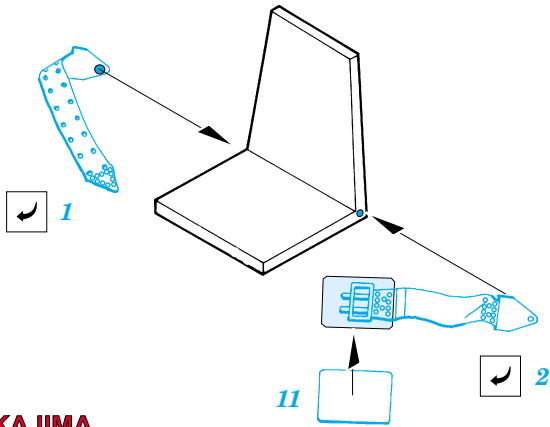
**IJN**

**NAKAJIMA**

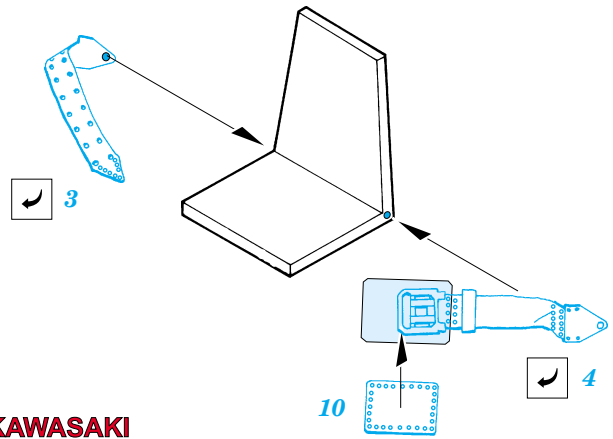
Diagram illustrating the assembly of seatbelts for Nakajima. Part 12 is a long, thin strap with a buckle. Part 16 is a shorter strap with a buckle. Arrows point to the seat and backrest of the airplane seat, indicating where these parts are attached.

**KAWANISHI**

Diagram illustrating the assembly of seatbelts for Kawanishi. Part 15 is a long, thin strap with a buckle. Part 19 is a shorter strap with a buckle. Arrows point to the seat and backrest of the airplane seat, indicating where these parts are attached.

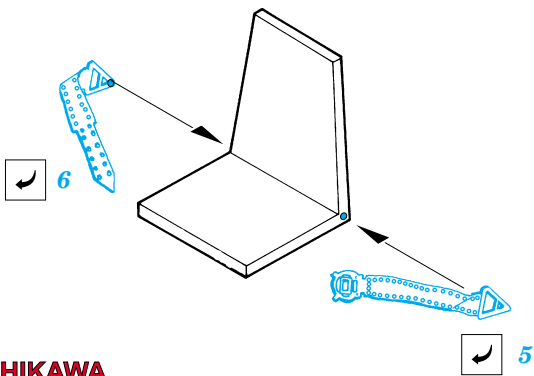


**NAKAJIMA (LEATHER)**

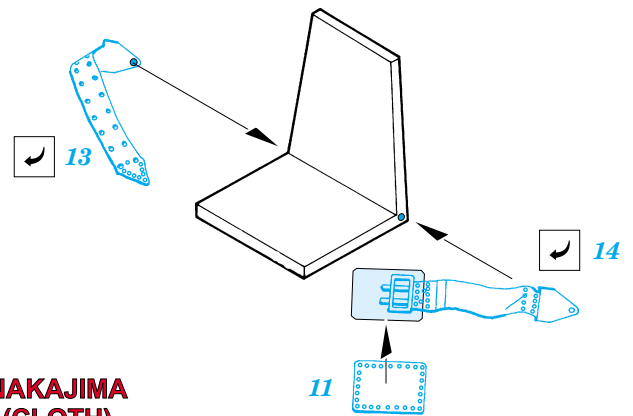


**KAWASAKI**

**IJA**

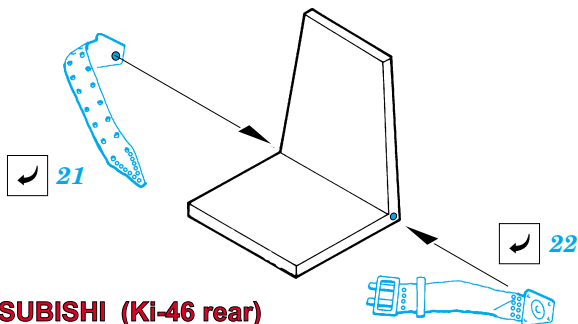


**TACHIKAWA**

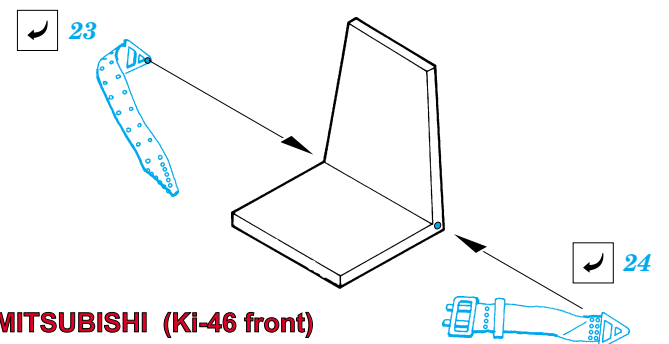


**NAKAJIMA (CLOTH)**

**IJA**



**MITSUBISHI (KI-46 rear)**



**MITSUBISHI (KI-46 front)**